

Check out our solution for Gloomhaven



<https://go7gaming.com/product-tag/gh/>

Check out our solution for Pathfinder ACG



<https://go7gaming.com/product-tag/pacg/>

Copyright 2019, Go7 Gaming. All Rights Reserved. All trademarks/marks are the property of their respective owners. Visit [go7gaming.com](https://go7gaming.com). Twitter: [@go7gaming](https://twitter.com/go7gaming) and Facebook: [go7gaming](https://facebook.com/go7gaming)

# BB-100 Bit Box

Bit Box Tray Kit with Lid

Kit provides 12+ possible configurations for all your storage needs



Kit includes one (1) bit box and a collection of inner dividers

**GO  
GAMING**

Made in the USA  
6001 W. Parmer Ln  
Suite 370-119  
Austin, TX 78727

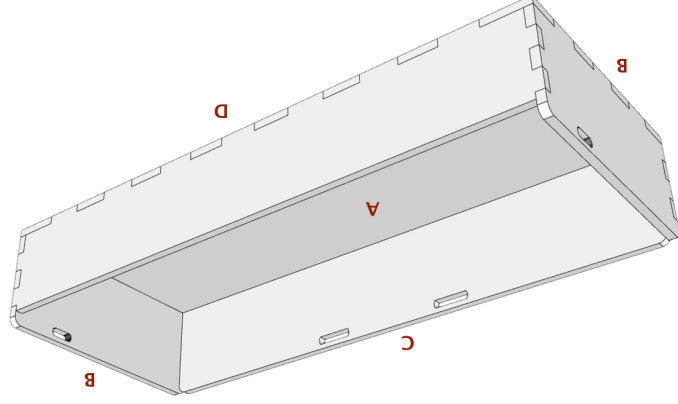
**AGE 14+**  
NOT A CHILDREN'S TOY



## General Construction Tips

- 1) Each piece should be removed from the frames with gentle pressure back and forth. You should not need a knife to cut pieces free.
- 2) Our inserts are designed to be glued together. We use Sobo craft glue, but any glue that is tacky and dries clear will work fine. Tacky glue assists with building as it holds better during construction. You can use painter's/masking tape for some joins, but glue is always best.
- 3) Keep some paper towels handy for cleanup during build.
- 4) Ensure you cleanup excess glue as you build. This is especially important in card lanes where dividers will be used or in spaces where a tray will be stored. The small, thin sticks on your plates are for glue removal.
- 5) Always dry fit pieces first to ensure a good fit and to better understand how the kit goes together.
- 6) Allow your finished tray to dry overnight.
- 7) Don't hesitate to reach out to us if you have questions!

## Tray Shell Construction



Building your bit box shell is quick and easy! The most important part of the build is cleaning up all excess glue and allowing your shell to dry overnight. The glue needs time to dry to ensure that your shell will perform optimally.

**Step #1:** Place base (A) in the orientation shown.

**Step #2:** Place glue on the bottom of rear wall (C) and connect to base (A).

**Step #3:** Place glue on the bottom and side tabs of end wall (B) and connect to base (A). Repeat on the other side.

**Step #4:** Place glue on the bottom of front wall (D) and connect.

## Configuring the Inner Walls

Once your tray shell has dried overnight, you can determine the best compartment layout for your purpose, place inner walls one the design base (glue, as needed, see below), and then drop the design base into the tray.

You should only punch out the holes you need on the design base (rectangle with the 14 cutouts), leaving the others in place.

You can optionally add a dab of glue to each corner inside the base of the tray to anchor the design base.

Most of these designs don't strictly require that the pieces be glued to the design base, but we always recommend gluing all parts.

## Compartment Configurations

Below is a list of all the basic configurations you can build and the parts needed for each design.

<b>Design</b>		<b>Parts Required</b>	2x B, 2x H, 1x G
<b>Design</b>		<b>Parts Required</b>	2x D
<b>Design</b>		<b>Parts Required</b>	1x B, 1x H, 1x G
<b>Design</b>		<b>Parts Required</b>	3x D
<b>Design</b>		<b>Parts Required</b>	1x D
<b>Design</b>		<b>Parts Required</b>	1x A
<b>Design</b>		<b>Parts Required</b>	1x B, 1x H, 1x G, 1x C
<b>Design</b>		<b>Parts Required</b>	1x B, 1x H, 1x G, 1x D
<b>Design</b>		<b>Parts Required</b>	1x B, 1x H, 1x G, 1x C, 1x D
<b>Design</b>		<b>Parts Required</b>	1x B, 1x H, 1x G, 1x D, 1x E
<b>Design</b>		<b>Parts Required</b>	2x G, 1x E

Congratulations! You have completed the construction of your new bit box. If you have any questions/concerns, don't hesitate to contact us. Finally, please take a moment to review your new tray on our website.