

AGRICOLA™ STORAGE SOLUTION

Model AGR-003 Insert Kit for Agricola™ Officially Licensed By Lookout GmbH

Complete insert kit provides storage for the revised 2016 edition of Agricola™ + 5/6 expansion content



DESIGNED FOR USE WITH THE REVISED 2016 EDITION OF AGRICOLA™

Construction Tips

- 1) Each piece should be removed from the frames with gentle pressure back and forth. You should not need a knife to cut pieces free.
- 2) Our inserts are designed to be glued together. We use Sobo craft glue, but any glue that is tacky and dries clear will work fine. Tacky glue assists with building as it holds better during construction. You can use painter's/masking tape for some joins, but glue is always best.
- 3) Keep some paper towels handy for cleanup during build.
- 4) Ensure you cleanup excess glue as you build. This is especially important in card lanes where dividers will be used or in spaces where a tray will be stored.
- 5) Check the build diagram included in the package for reference, including all parts, as well as build tips specific to this insert.
- 6) Always dry fit pieces first to ensure a good fit and to better understand how the kit goes together.
- 7) Allow your finished insert to dry overnight.
- 8) You can optionally sand and even stain your insert.
- 9) Don't hesitate to reach out to us if you have questions!

Visit go7gaming.com for a large selection of storage solutions. Follow us on Twitter: [@go7gaming](https://twitter.com/go7gaming) and Facebook: [go7gaming](https://www.facebook.com/go7gaming)

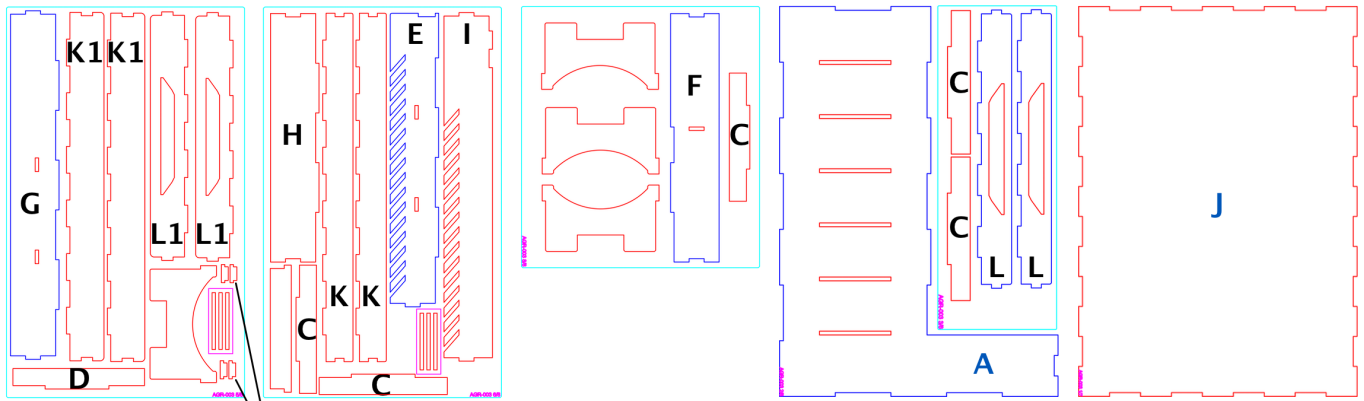


Made in the USA

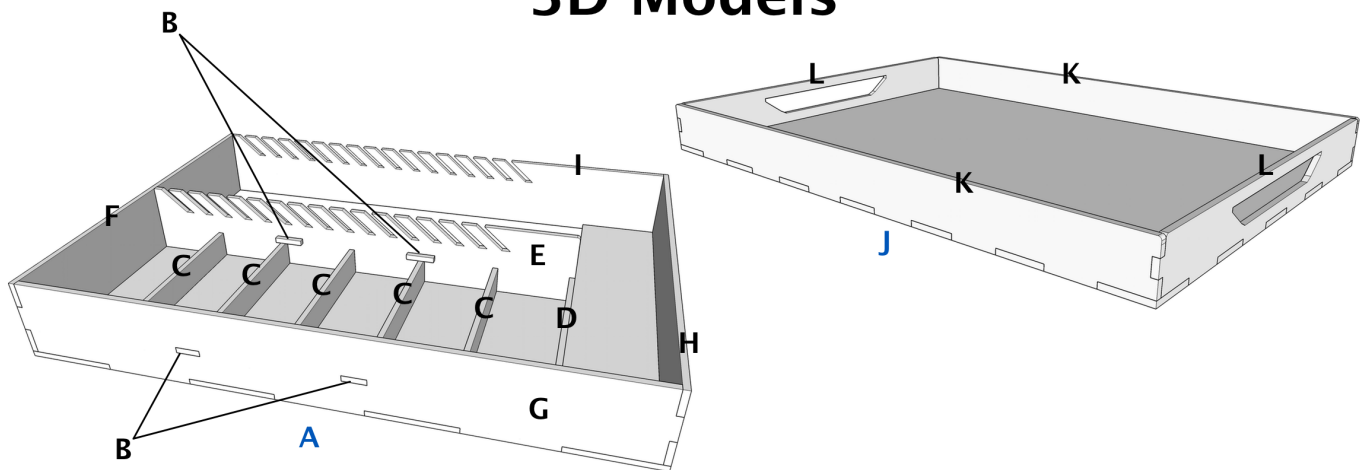
NOT A CHILDREN'S TOY
AGE 14+



Kit Plates



3D Models



Build Instructions

This licensed storage solution is designed to be used in the revised Agricola box published by Mayfair Games/Lookout GmbH starting in 2016. There are a total of 3 trays to store all of your components, plus a base that provides storage for player bits and cards. This storage insert is designed to store Agricola + the Agricola 5/6 player expansion. If you have the Agricola 5/6 player expansion, you can choose to construct the tall top tray using the K1/L1 walls or simply store your boards on top of the insert with no tray. The tall top tray adds ~6mm lift. No top tray with the 5/6 player expansion adds ~1m lid lift. These instructions will cover constructing the insert and trays one-by-one.

After each piece is placed, you should cleanup excess glue using the provided glue sticks (short, thin wood strips on several plates). Also, remember to dry fit everything so you understand where to place glue and how everything fits together. Let's begin by building the base insert.

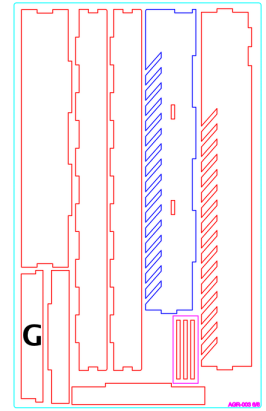
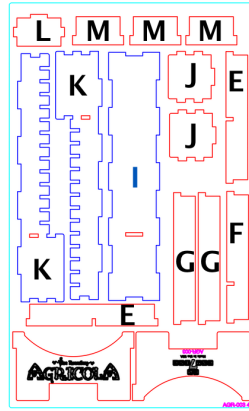
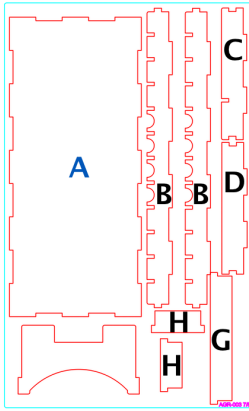
- 1) Lay base (A) down on your workspace. Apply glue to the bottom of player divider (C) and connect. Repeat for the other 4 player dividers (C).
- 2) Next, apply glue to the bottom of the long player divider (D) and connect. Note that the (D) long player divider is longer than the 5x player dividers (C).
- 3) Next, glue the tray support tabs (B) on both inner wall (E) and outer wall (G). Make sure you dry fit the insert first to ensure you glue these support tabs on the correct side.
- 4) Next, apply glue to the right lower end, the bottom, and the left end tab of inner wall (E) and connect. Make sure this wall is glued to long player divider (D). Note divider slot orientation!
- 5) Next, place glue on the bottom of end wall (F) and connect.
- 6) Next, place glue on the bottom and end tabs of outer wall (G) and connect.
- 7) Next, place glue on the bottom of end wall (H) and connect.
- 8) Finally, place glue on the bottom and end tabs of outer divider wall (I) and connect. Note divider slot orientation!

Next, let's construct the top tray used to store the game and player boards. If you do not have the 5/6 player expansion, use the instructions below. If you do, either do not build the top tray and store your board on top of the insert or use the K1/L1 walls instead. The K1/L1 walls cause ~6mm lid lift.

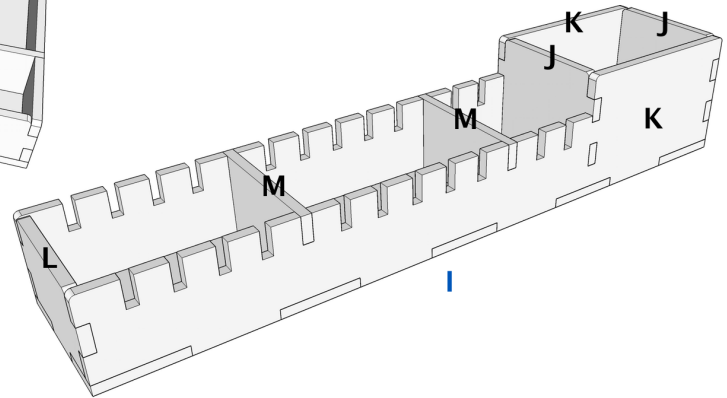
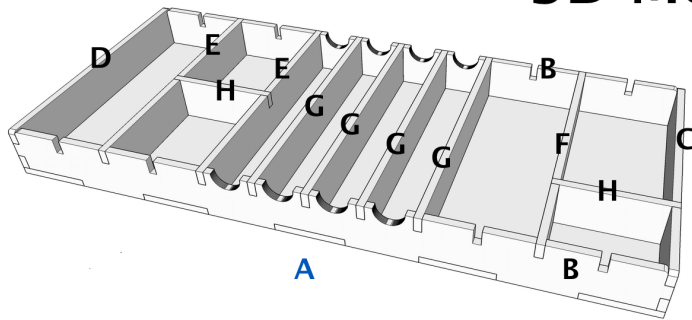
- 1) Lay base (J) down on your workspace. Apply glue to the bottom of long side wall (K) and apply glue to the bottom and both side tabs of end wall (L) and then connect them together on base (J).
- 2) Next, apply glue to the bottom of the other long side wall (K) and connect it to the structure.
- 3) Finally, place glue on the bottom and side tabs of the end wall (L) and connect.

Allow your insert and tray to dry overnight and then place your components. Instructions continue on next page.

Kit Plates



3D Models



Build Instructions

Next, let's build the resource tray (A). This tray stores all resources except cattle.

- 1) Lay base (A) down on your workspace. Apply glue to the bottom of long side wall (B) and apply glue to the bottom and both side tabs of end wall (C) and then connect them together on base (A). Please ensure the cutout aligns properly.
- 2) Next, apply glue to the bottom of other long side wall (B) and connect it to the structure.
- 3) Next, place glue on the bottom and side tabs of end wall (D) and connect.
- 4) Next, place a small dab of glue on the underside of the end tabs of both dividers (E) and connect. Ensure the cutouts align for the small divider.
- 5) Next, place a small dab of glue on the underside of the end tabs of divider (G) and connect. Repeat for the other 3 dividers (G).
- 6) Next, place a small dab of glue on the underside of the end tabs of divider (F) and connect. Ensure the cutout aligns with end wall (C).
- 7) Finally, place a small dab of glue on the underside of the end tabs of small dividers (H) and place each as illustrated above.

Note: you will need to place your tokens in the tray in a careful manner to ensure they all fit.

Finally, let's build the tile storage tray (I). This tray includes 3 dividers to allow for tile segmentation and a storage area for your cattle.

- 1) Lay base (I) down on your workspace. Apply glue to the bottom and end tabs of inner tall wall (J) and connect using the cutout inside base (I).
- 2) Next, place glue on the bottom of long wall (K) and connect. Repeat for the other long wall (K).
- 3) Next, place glue on the bottom and end tabs of small wall (L) and connect.
- 4) Next, apply glue to the bottom and end tabs of outer tall wall (J) and connect.
- 5) Finally, after allowing the tray to dry for ~5 minutes, you can place a divider (M) or two in the tray to ensure a perfect fit. You should never glue these dividers in the tray since you may need more tile space as expansions are released.

Allow your trays to dry overnight and then place your components into the trays. You have completed the project!

Agricola Token Tray Layout

