

INSERT FOR MANSIONS OF MADNESS™

MOM-001 Storage Insert Kit for Mansions of Madness™

Complete insert kit with 10 removable trays and storage for minis, cards, and tokens



General Construction Tips

- 1) Each piece should be removed from the frames with gentle pressure back and forth. You should not need a knife to cut pieces free.
- 2) Our inserts are designed to be glued together. We use Sobo craft glue, but any glue that is tacky and dries clear will work fine. Tacky glue assists with building as it holds better during construction. You can use painter's/masking tape for some joins, but glue is always best.
- 3) Keep some paper towels handy for cleanup during build.
- 4) Ensure you cleanup excess glue as you build. This is especially important in card lanes where dividers will be used or in spaces where a tray will be stored.
- 5) Check the build diagram included in the package for reference, including all parts, as well as build tips specific to this insert.
- 6) Always dry fit pieces first to ensure a good fit and to better understand how the kit goes together.
- 7) Allow your finished insert to dry overnight.
- 8) You can optionally sand and even stain your insert.
- 9) Don't hesitate to reach out to us if you have questions!

Unlike many of our inserts, this is not a licensed insert. All trademarks/marks are the property of their respective owners.

NOT A CHILDREN'S TOY

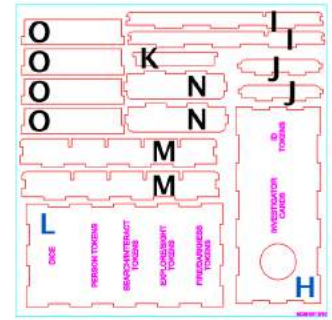
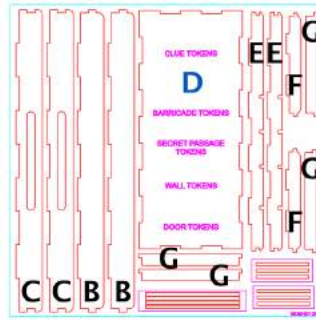
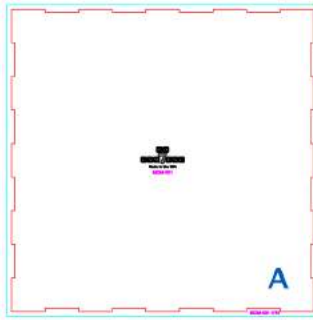
AGE 14+

Visit go7gaming.com for a large selection of storage solutions.

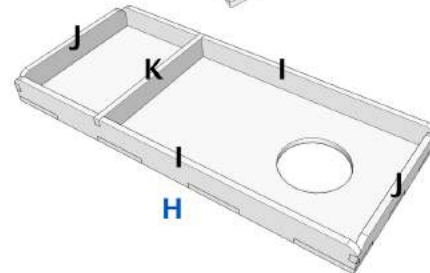
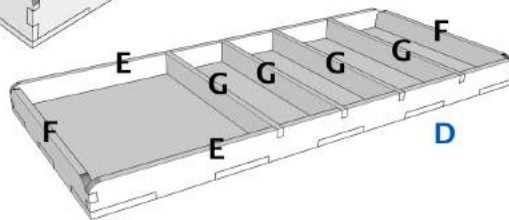
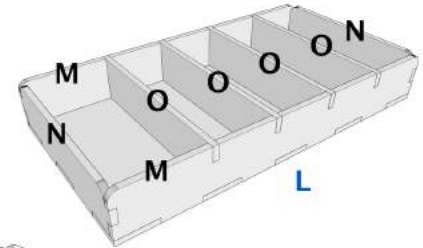
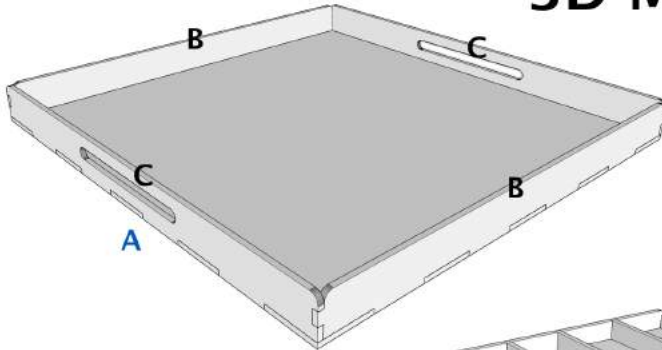
Follow us on Twitter: [@go7gaming](https://twitter.com/go7gaming) and Facebook: [go7gaming](https://www.facebook.com/go7gaming)

GO
GAMING
Made in the USA

Kit Plates



3D Models



Build Instructions

This storage solution is designed to fit inside the Mansions of Madness box. There are a total of 10 removable trays to store all of your components. These instructions will cover constructing the removable trays one-by-one. Together, these components provide a versatile storage solution with room for all of the game components, including painted minis.

After each piece is placed, you should cleanup excess glue using the provided glue sticks (short, thin wood strips on plates #2/#5/#6). Also, remember to dry fit everything so you understand where to place glue and how everything fits together. Let's begin by building the top tray (A). This tray is designed to store the game manuals.

- 1) Lay base (A) down on your workspace. Apply glue to the bottom and both ends of outer wall (B) and connect to base (A).
- 2) Next, place glue on the bottom of outer wall (C) and connect.
- 3) Next, place glue on the bottom of the other outer wall (C) and connect on the opposite side.
- 4) Finally, place glue on the bottom of outer wall (B) and connect.

Next, let's construct the shallow token tray (D). This tray is designed to hold various tokens.

- 1) Lay base (D) down on your workspace. Apply glue to the bottom and both ends of long wall (E) and connect to base (D).
- 2) Next, place glue on the bottom of end wall (F) and connect.
- 3) Next, place glue on the bottom of the other long wall (E) and connect on the opposite side.
- 4) Next, place glue on the bottom of end wall (F) and connect.
- 5) Finally, place a small dab of glue under both end tabs of the inner dividers (G) and place them in the tray.

Next, let's construct the investigator card tray (H). This tray is designed to store the investigator cards and ID tokens.

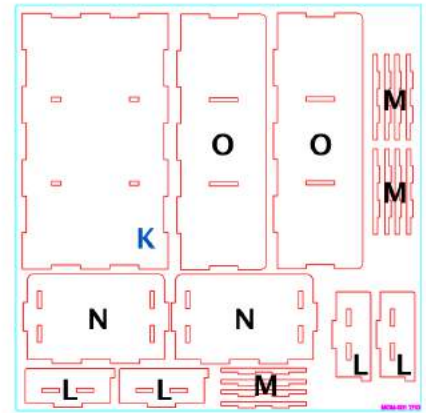
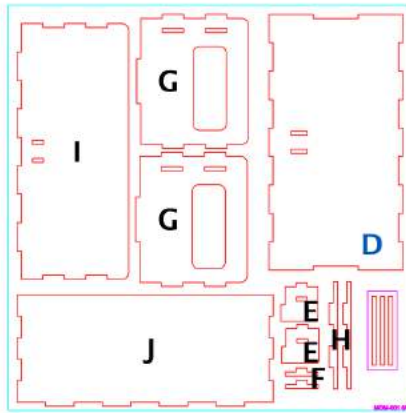
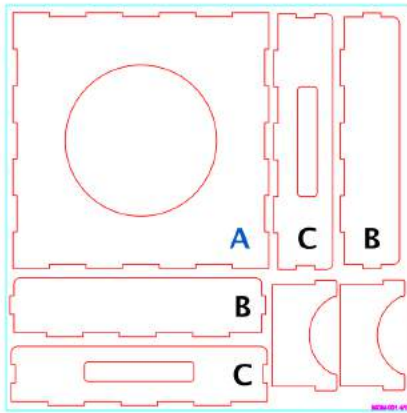
- 1) Lay base (H) down on your workspace. Apply glue to the bottom and both ends of long wall (I) and connect to base (H).
- 2) Next, place glue on the bottom of end wall (J) and connect.
- 3) Next, place glue on the bottom of the other long wall (I) and connect on the opposite side.
- 4) Next, place glue on the bottom of wall (J) and connect.
- 5) Finally, place a small dab of glue under both end tabs of the inner divider (K) and place it in the tray.

Next, let's construct the shallow token tray (L). This tray is designed to hold various tokens.

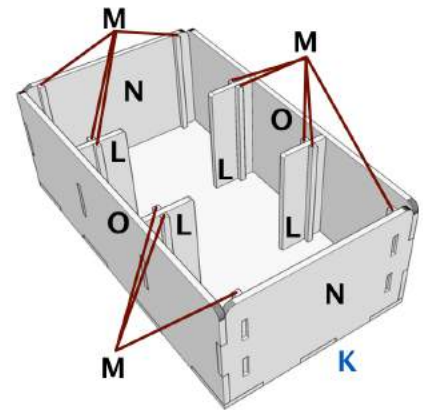
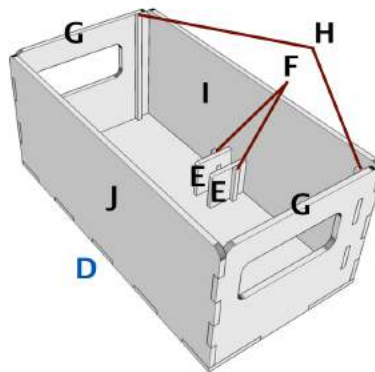
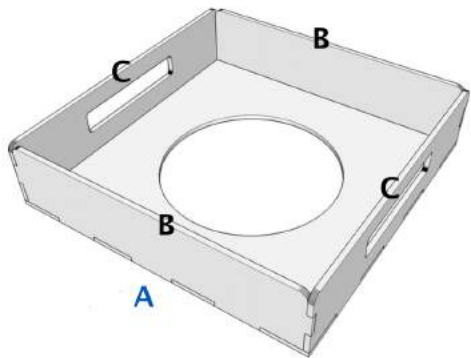
- 1) Lay base (L) down on your workspace. Apply glue to the bottom and both ends of long wall (M) and connect to base (L).
- 2) Next, place glue on the bottom of end wall (N) and connect.
- 3) Next, place glue on the bottom of the other long wall (M) and connect on the opposite side.
- 4) Next, place glue on the bottom of end wall (N) and connect.
- 5) Finally, place a small dab of glue under both end tabs of the inner dividers (O) and place them in the tray.

Allow your trays to dry overnight and then place your components into the trays. Instructions continue on next page.

Kit Plates



3D Models



Build Instructions

Remember, after each piece is placed, you should cleanup excess glue using the provided glue sticks (short, thin wood strips). Also, remember to dry fit everything so you understand where to place glue and how everything fits together. **Note:** dry fitting is very important when building the minis storage trays. You can dry fit and note how the minis are stored to ensure you don't make a mistake when gluing.

Next, let's construct the tile tray (A).

- 1) Lay base (A) down on your workspace. Apply glue to the bottom and both ends of outer wall (B) and connect to base (A).
- 2) Next, place glue on the bottom of handle outer wall (C) and connect.
- 3) Next, place glue on the bottom of the other outer wall (B) and connect on the opposite side.
- 4) Finally, place glue on the bottom of handle outer wall (C) and connect.

Next, let's build the large minis storage tray (D). Please note that you **MUST** remove all excess glue when building this tray or your minis will not slide in smoothly (or at all). Also note the proper orientation when attaching rails on the supports and walls. Dry fit first! **Optionally, you may skip steps 2 - 4 if you don't want to use rails.**

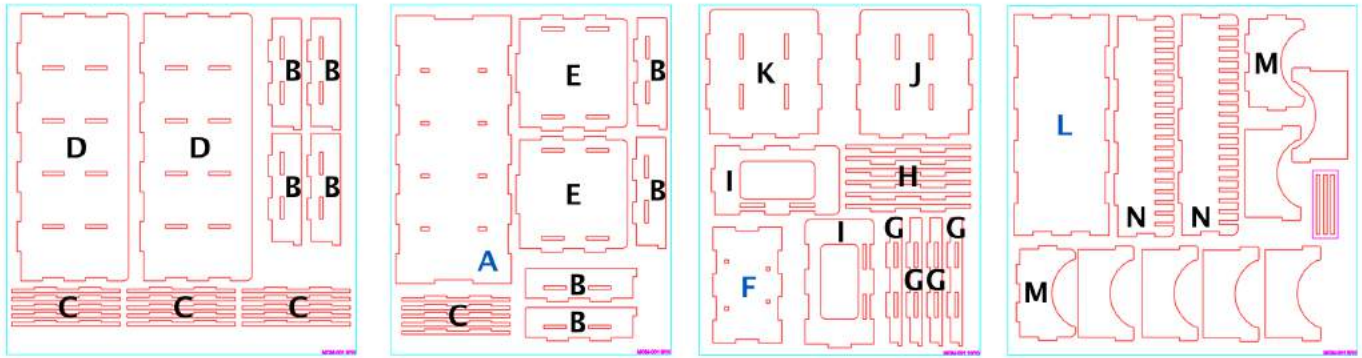
- 1) Lay base (D) down on your workspace.
- 2) Next, apply glue to the tabs on long rail (H) and connect to end wall (G). Repeat on the opposite end wall (G).
- 3) Next, apply a small dab of glue to the tab on short rail (F) and connect to small support (E). Repeat on the opposite side of the other small support.
- 4) Next, place glue on the end tab of small support (E) and connect to long wall (I). Repeat for the other small support (E). **Note:** the rails face away from each other once placed.
- 5) Next, place glue on the bottom of long wall (I) and on the bottom tab of the small supports (E) and connect to base (D).
- 6) Next, place glue on the bottom and both sides of end wall (G) and connect. Repeat for the other end wall (G).
- 7) Finally, place glue on the bottom of long wall (J) and connect.

Next, let's build the medium minis storage tray (K). Please note that you **MUST** remove all excess glue when building this tray or your minis will not slide in smoothly (or at all). Also note the proper orientation when attaching rails on the supports and walls. Dry fit first! **Optionally, you may skip steps 2 - 4 if you don't want to use rails.**

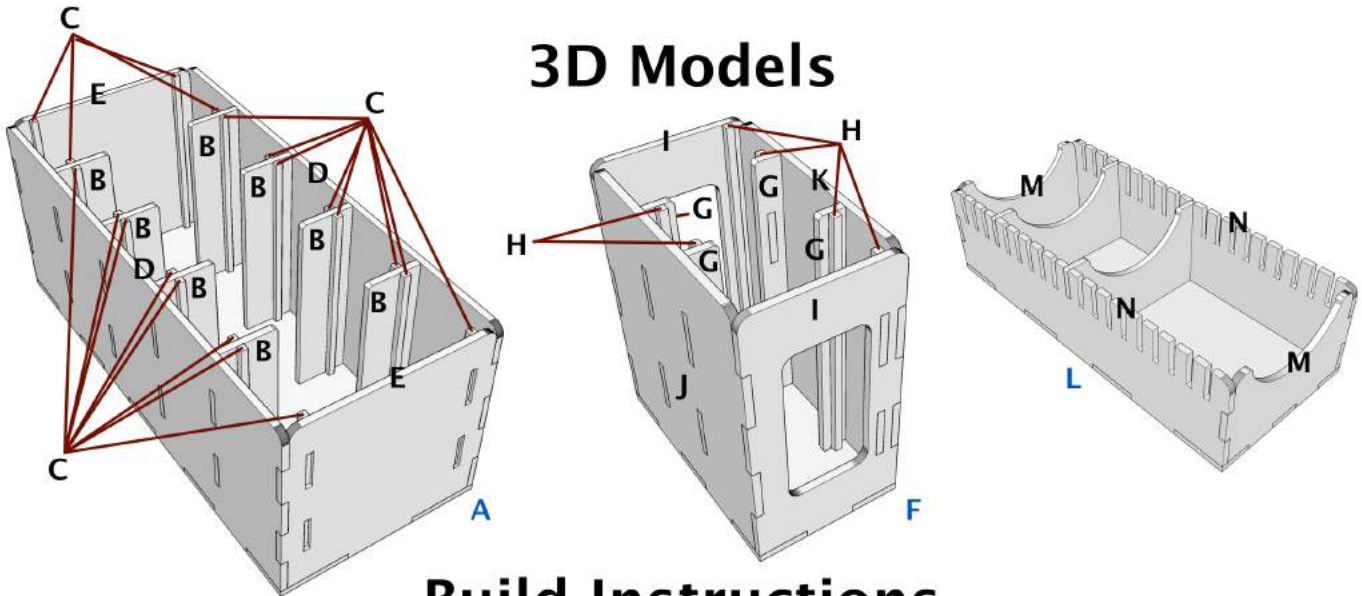
- 1) Lay base (K) down on your workspace.
- 2) Next, apply glue to the tabs on 2 x long rails (M) and connect to end wall (N). Repeat on the opposite end wall (N).
- 3) The long supports (L) require a long rail (M) on each side. Place glue on the tabs and seat the long rail (M) on the long support (L). Then place glue on the tabs of the other long rail (M) and seat it on the opposite side of the long support (L). Repeat for the other three long supports (L).
- 4) Next, place glue on the larger tab of long support (L) and connect to long wall (O). Repeat for the other three long supports (L).
- 5) Next, place glue on the bottom of long wall (O) and on the bottom tab of the long supports (L) and connect to base (K). Repeat for the other long wall (O).
- 6) Finally, place glue on the bottom and both sides of end wall (N) and connect. Repeat for the other end wall (N).

Allow your trays to dry overnight and then place your components into the trays. Instructions continue on next page.

Kit Plates



3D Models



Build Instructions

Finally, let's build the last three trays! After each piece is placed, you should cleanup excess glue using the provided glue sticks (short, thin wood strips). Also, remember to dry fit everything so you understand where to place glue and how everything fits together.

Next, let's build the small minis storage tray (A) now. Please note that you **MUST** remove all excess glue when building this tray or your minis will not slide in smoothly (or at all). Also note the proper orientation when attaching rails on the supports and walls. Dry fit first! **Optionally, you may skip steps 2 - 4 if you don't want to use rails.**

- 1) Lay base (A) down on your workspace.
- 2) Next, apply glue to the tabs on 2x long rails (C) and connect to end wall (E). Repeat on the opposite end wall (E).
- 3) The long supports (B) require a long rail (C) on each side. Place glue on the tabs of and seat long rail (C) on long support (B). Then place glue on the tabs of the other long rail (C) and seat it on the opposite side of the long support (B). Repeat for the other seven long supports (B).
- 4) Next, place glue on the two tabs of long support (B) and connect to long wall (D). Repeat for the other seven long supports (B).
- 5) Next, place glue on the bottom of long wall (D) and on the bottom tab of the long supports (B) and connect to base (A). Repeat for the other long wall (D).
- 6) Finally, place glue on the bottom and both sides of end wall (E) and connect. Repeat for the other end wall (E).

Next, let's build the investigator storage tray (F). Please note that you **MUST** remove all excess glue when building this tray or your minis will not slide in smoothly (or at all). Also note the proper orientation when attaching rails on the supports and walls. Dry fit first! **Optionally, you may skip steps 2 - 4 if you don't want to use rails.**

- 1) Lay base (F) down on your workspace.
- 2) Next, apply glue to the tabs on long rail (H) and connect to end wall (I). Repeat on the opposite end wall (I). Note orientation in the image above!
- 3) Next, apply glue to the two tabs on long rail (H) and connect to long support (G). Note orientation in the image above! Repeat for the other three long supports (G).
- 4) Next, place glue on the end tabs of the two long supports (G) and connect to tall wall (J). Repeat for the other tall wall (K). **Note:** the rails face each other once placed.
- 5) Next, place glue on the bottom of tall wall (J) and on the bottom tab of the long supports (G) and connect to base (F).
- 6) Next, place glue on the bottom and both sides of end wall (I) and connect. Repeat for the other end wall (I).
- 7) Finally, place glue on the bottom of tall wall (K) and connect.

Finally, let's construct the small card tray (L). This is it! You're in the home stretch...

- 1) Lay base (L) down on your workspace. Apply glue to the bottom and both ends of long outer wall (N) and connect to base (L).
- 2) Next, place glue on the bottom of end wall (M) and connect.
- 3) Next, place glue on the bottom of the other long outer wall (N) and connect on the opposite side.
- 4) Finally, place glue on the bottom of end wall (M) and connect.

Allow your trays to dry overnight and then place your components into the trays. You have completed the project!