

INSERT FOR IMPERIAL ASSAULT

Model IMPERIAL-003 Miniatures Insert Kit for Imperial Assault Return to Hoth Box

Complete insert kit with removable trays and storage for miniatures, cards, and tokens



General Construction Tips

- 1) Each piece should be removed from the frames with gentle pressure back and forth. You should not need a knife to cut pieces free.
- 2) Our inserts are designed to be glued together. We use Sobo craft glue, but any glue that is tacky and dries clear will work fine. Tacky glue assists with building as it holds better during construction. You can use painter's/masking tape for some joins, but glue is always best.
- 3) Keep some paper towels handy for cleanup during build.
- 4) Ensure you cleanup excess glue as you build. This is especially important in card lanes where dividers will be used or in spaces where a tray will be stored.
- 5) Check the build diagram included in the package for reference, including all parts, as well as build tips specific to this insert.
- 6) Always dry fit pieces first to ensure a good fit and to better understand how the kit goes together.
- 7) Allow your finished insert to dry overnight.
- 8) You can optionally sand and even stain your insert.
- 9) Don't hesitate to reach out to us if you have questions!

Unlike many of our inserts, this is not a licensed insert. All trademarks/marks are the property of their respective owners.

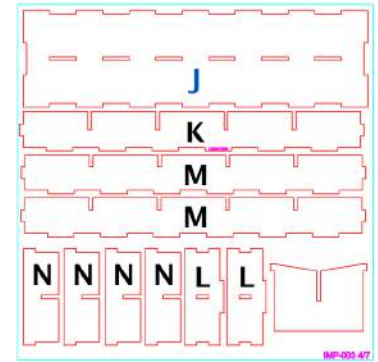
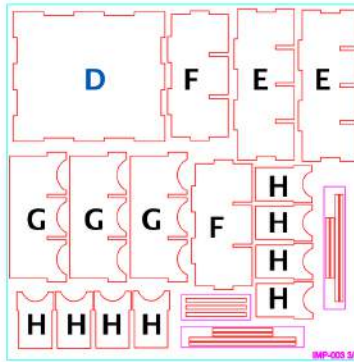
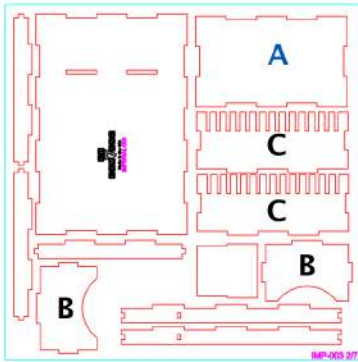
NOT A CHILDREN'S TOY
AGE 14+

Visit go7gaming.com for a large selection of storage solutions.

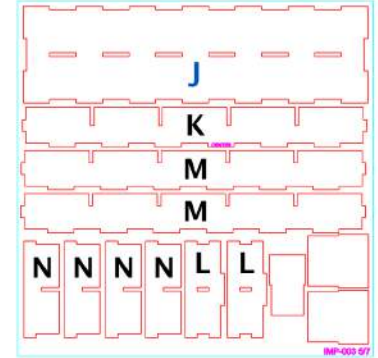
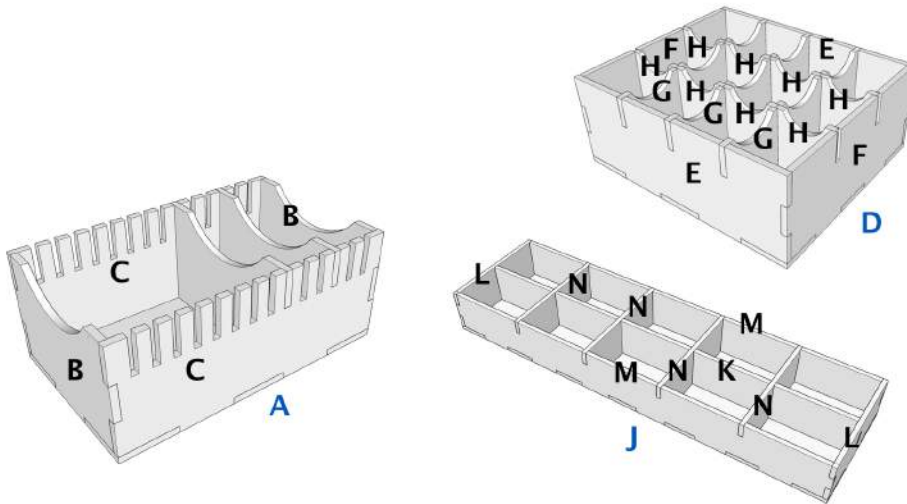
Follow us on Twitter: [@go7gaming](https://twitter.com/go7gaming) and Facebook: [go7gaming](https://www.facebook.com/go7gaming)

GO
GAM7ING
Made in the USA

Kit Plates



3D Models



Build Instructions

This storage solution is designed to fit inside the Return to Hoth box of the Imperial Assault game. There are a total of 7 trays to store all of your components and expansions. This insert is intended to be used in conjunction with our IMPERIAL-001 / IMPERIAL-002 storage solutions to provide an overall storage system for your Imperial Assault collection. These instructions will cover constructing the removable trays one-by-one.

Let's begin by building the small card storage tray first.

- 1) Lay base (A) down on your workspace. Apply glue to the bottom of long side wall (C) and apply glue to the bottom and both side tabs of end wall (B) and then connect them together on base (A).
- 2) Next, apply glue to the bottom of long side wall (C) and connect it to the structure.
- 3) Finally, place glue on the bottom and side tabs of end wall (B) and connect. You may want to place a divider or two into the tray to ensure a perfect fit, just make sure you have cleaned up all of the excess glue.

Next, let's construct the small miniatures storage tray (D).

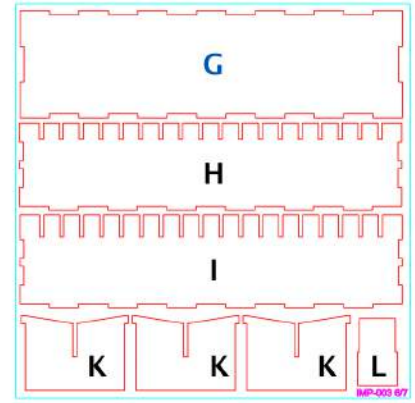
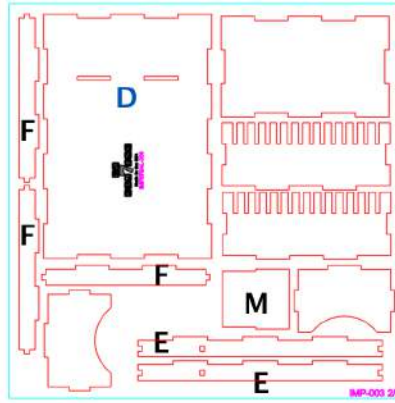
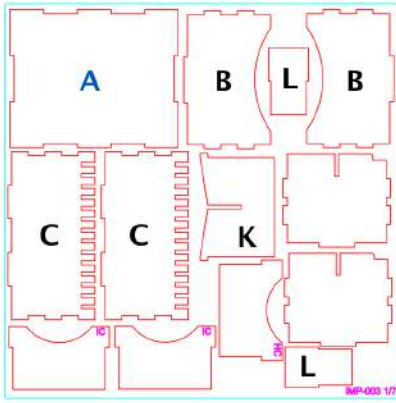
- 1) Lay base (D) down on your workspace. Apply glue to the bottom of long side wall (E) and apply glue to the bottom and both side tabs of end wall (F) and then connect all three together.
- 2) Next, apply glue to the bottom of long side wall (E) and connect it to the structure.
- 3) Finally, place glue on the bottom and side tabs of end wall (F) and connect. You may want to place a divider (G) or two into the tray to ensure a perfect fit, just make sure you have cleaned up all of the excess glue. Once dry, the dividers (G) and splitters (H) can be placed, as needed.

Next, let's construct the shallow miniatures storage trays (J). There are two of these trays.

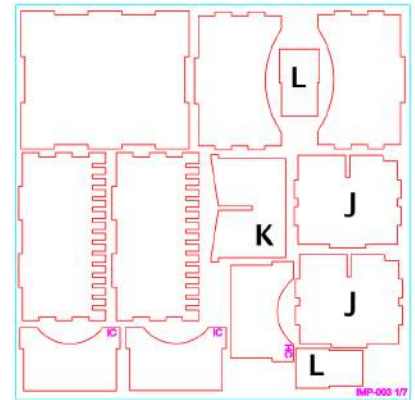
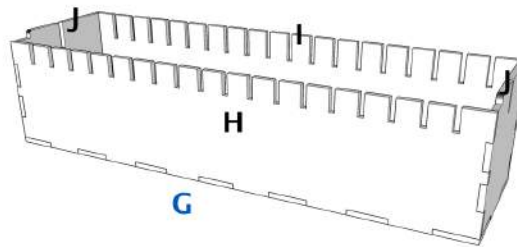
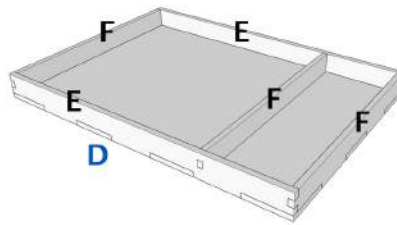
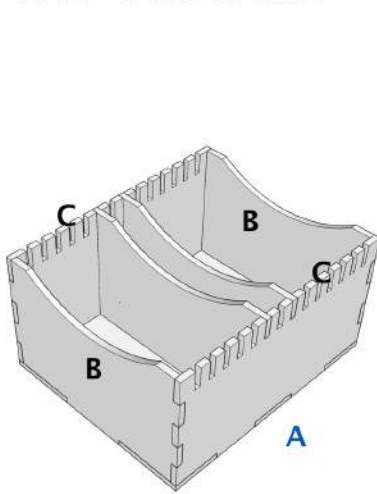
- 1) Lay base (J) down on your workspace. Apply glue to the bottom of center divider (K) and connect them. **This divider has deeper notches and is engraved with CENTER on the bottom of one of the tabs.**
- 2) Next, apply glue to the end tabs of center divider (K) and the bottom of end wall (L) and connect. Repeat for the other end wall (L).
- 3) Next, apply glue to bottom and ends of the side wall (M) and connect. Repeat for the other side wall (M).
- 4) Finally, place a small dab of glue on the underside of the divider (N) tabs of each divider and place in the tray.
- 5) Repeat this process for the second shallow miniatures storage tray.

Allow your trays to dry overnight and then place your components into the trays. Instructions continue on next page.

Kit Plates



3D Models



Build Instructions

Next, let's construct the large card storage tray (A).

Remember, after each piece is placed, you should cleanup excess glue using the provided glue sticks (short, thin wood strips). Also, remember to dry fit everything so you understand where to place glue and how everything fits together.

- 1) Lay base (A) down on your workspace. Apply glue to the bottom of long side wall (C) and apply glue to the bottom and both side tabs of end wall (B) and then connect all three together.
- 2) Next, apply glue to the bottom of long side wall (C) and connect it to the structure.
- 3) Finally, place glue on the bottom and side tabs of end wall (B) and connect. You may want to place a divider or two into the tray to ensure a perfect fit.

Next, let's construct the shallow hero sheet tray (D).

- 1) Lay base (D) down on your workspace. Apply glue to the bottom of wall (F) and connect to the center of base (D).
- 2) Next, apply glue to the end tabs of wall (F) and the bottom of long wall (E) and connect. Repeat for the other long wall (E).
- 3) Finally, apply glue to bottom and sides of the wall (F) and connect. Repeat for the other wall (F).

Finally, let's construct the tall miniatures tray (G).

- 1) Lay base (G) down on your workspace. Apply glue to the bottom of long side wall (H) and apply glue to the bottom and both side tabs of end wall (J) and then connect all three together.
- 2) Next, apply glue to the bottom of long side wall (I) and connect it to the structure.
- 3) Finally, place glue on the bottom and side tabs of end wall (J) and connect. You may want to place a divider or two into the tray to ensure a perfect fit.
- 4) Once dry, you can place dividers (K) and splitters (L/M), as needed to store your minis.

Allow your trays to dry overnight and then place your components into the trays. You have completed the project.